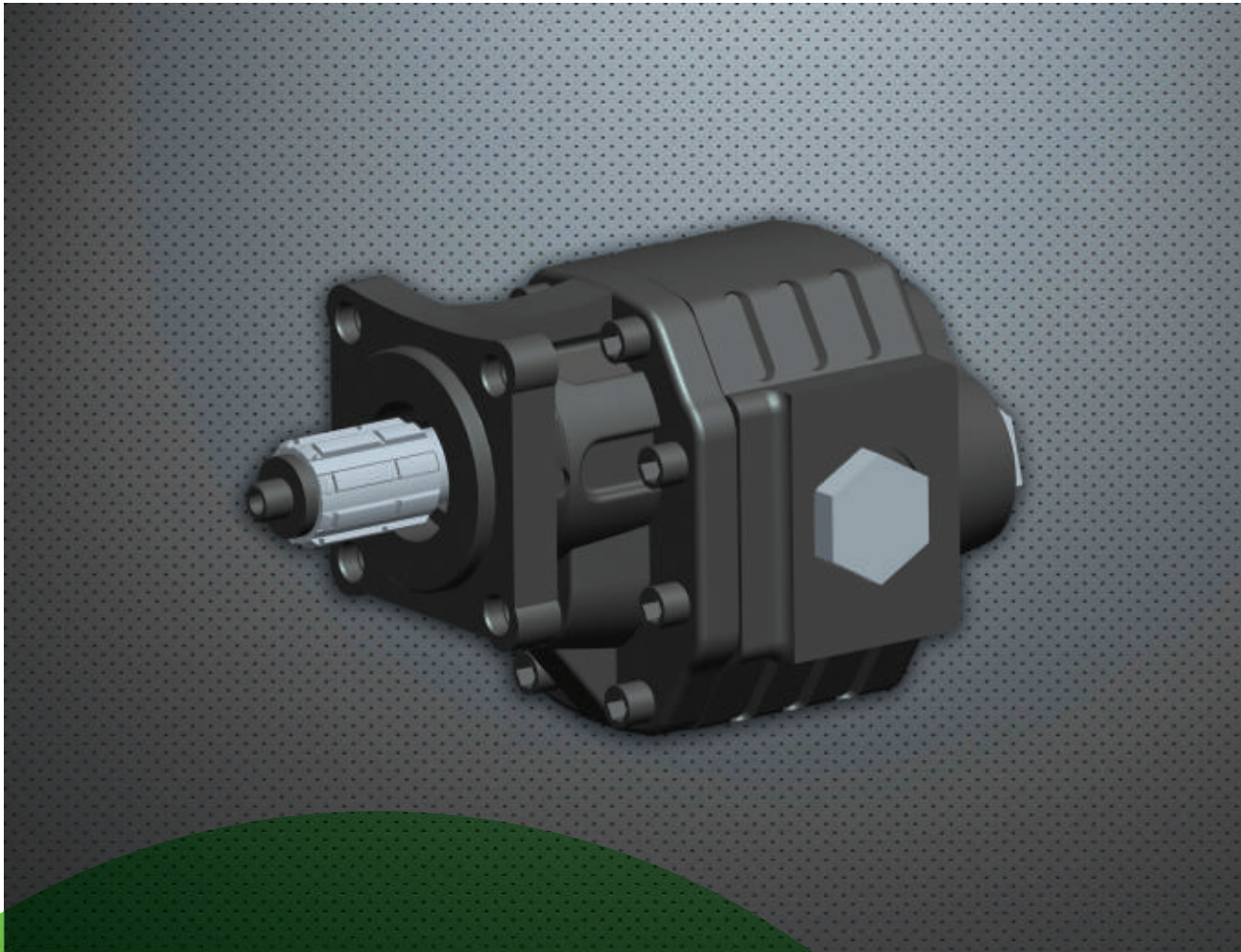


Gear Pump

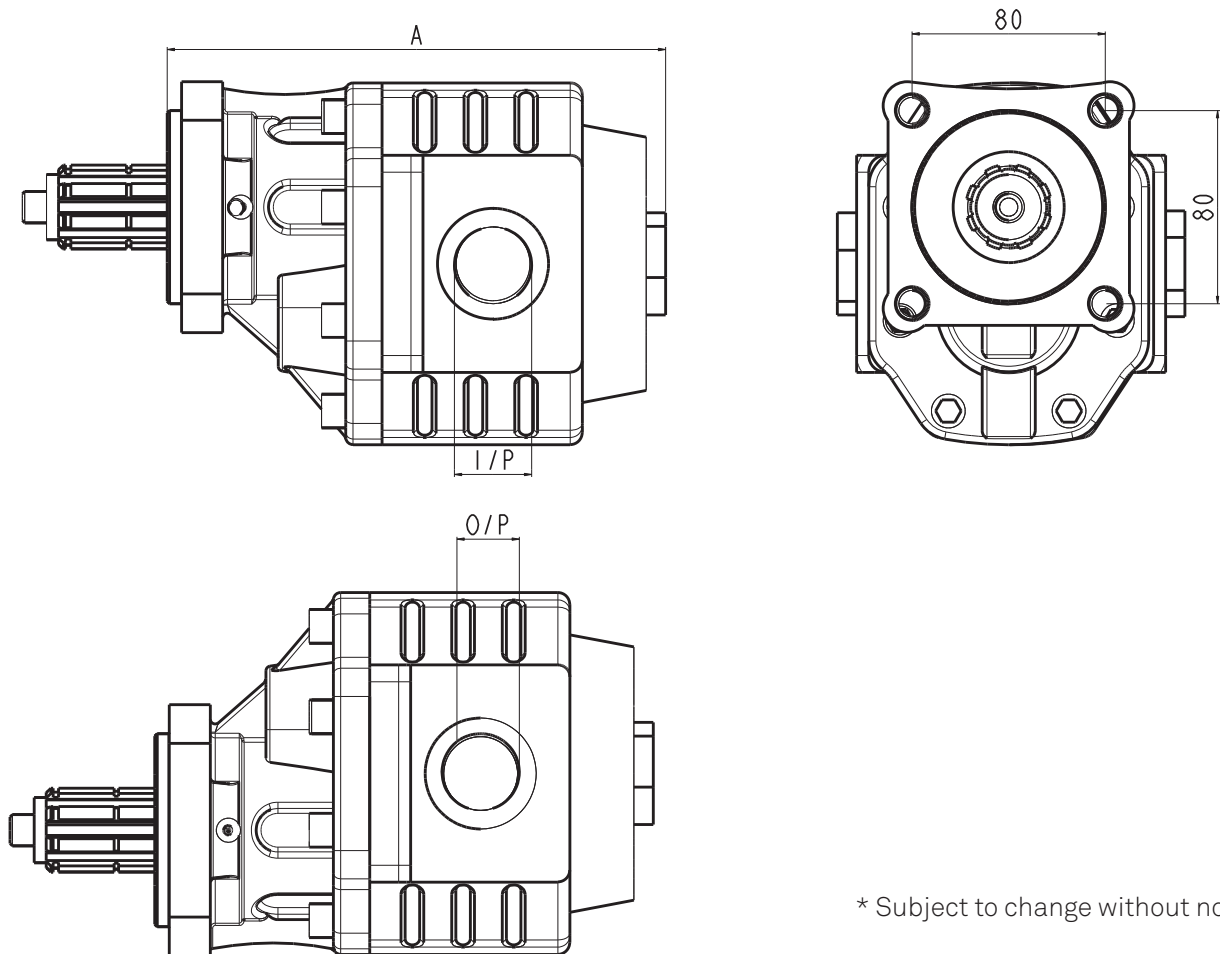


Features

- High performance at high speeds
- Side and rear port position availability
- Modular design
- Low noise emission
- Shaft seal system no leakage guarantee
- Direct mounting on the PTO's

Gear Pump

Model	P438/P440	P439/P441	P444	P437	P425
A (mm)	180	194	192	220	238
Suction Port Size	1" BSP	1" BSP	1" BSP	1" BSP	1 1/4" BSP
Delivery Post Size	1" BSP	1" BSP	1" BSP	1" BSP	1 1/4" BSP
Displacement (cc/rev)	60	80	80	90	100
Minimum Speed (rpm)	500	500	500	500	300
Maximum Speed (rpm)	2500	2500	2500	2500	2250
Flow at 1500 rpm (theoretical lpm)	90	120	120	135	150
Working Pressure (bar)	280	200	200	250	200
Peak Pressure (bar)	300	220	220	280	220
Direction of Rotation (shaft side)	Clock/Anti Clock wise	Clock/Anti Clock wise	Bi-directional	Anti Clock wise	Bi-directional
Max. Input Shaft Torque (N-m)	275	275	275	320	500
Temp Range of Oil (° C)	-25 to +80	-25 to +80	-25 to +80	-40 to +80	-25 to +80
Weight (kg)	13	14	17	17	18.8



* Subject to change without notice

● Wipro Infrastructure Engineering

(T) +91 (80) 3929 2111

(F) +91 (80) 3929 4080

(E) winsales.india@wipro.com

(W) wiproinfra.com