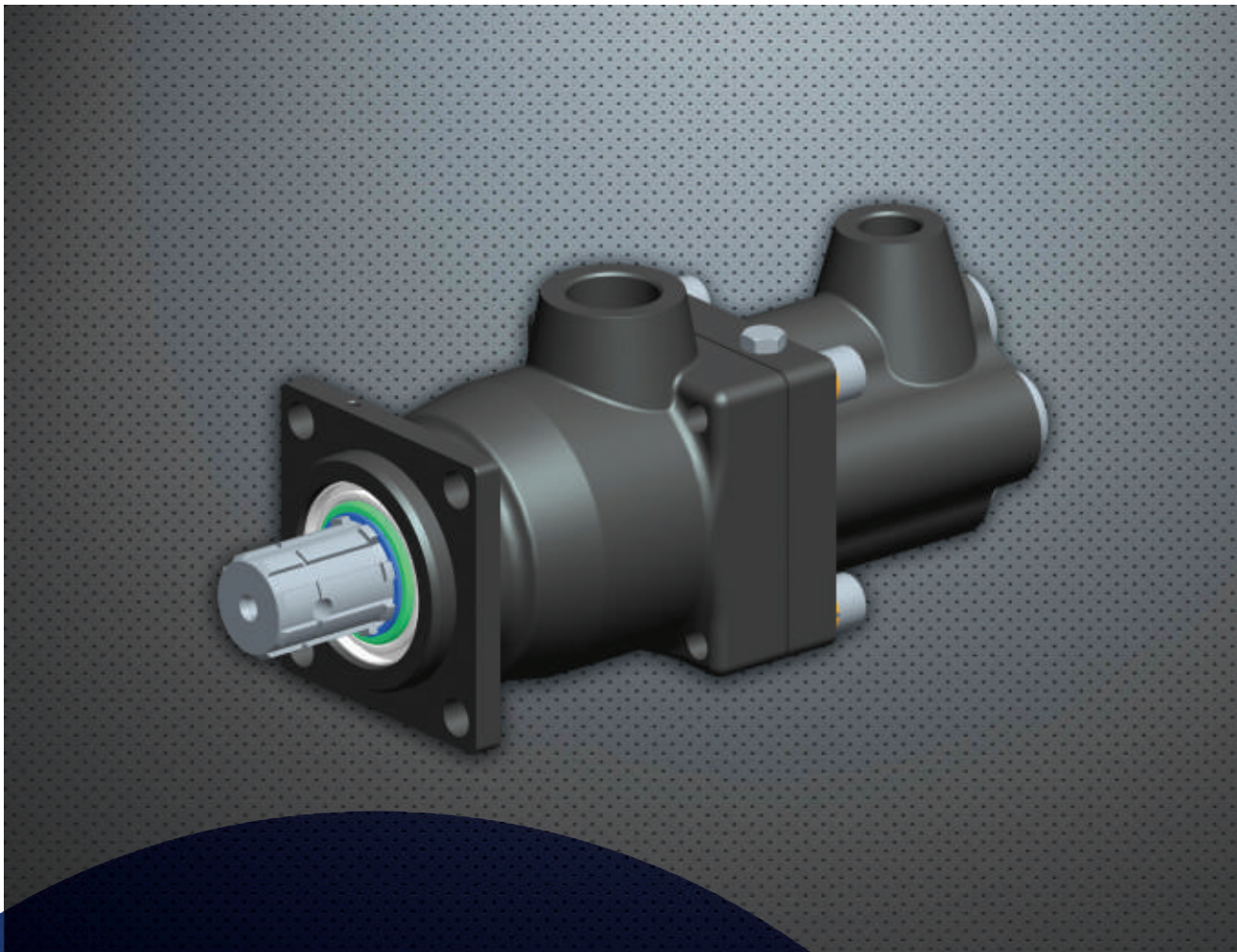


Axial Piston Pump - Fixed Delivery

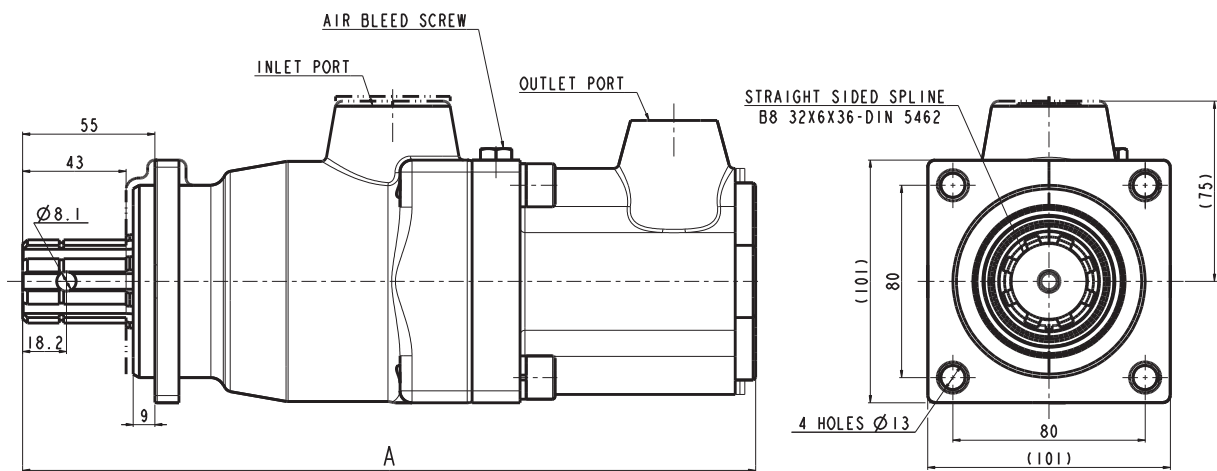


Features

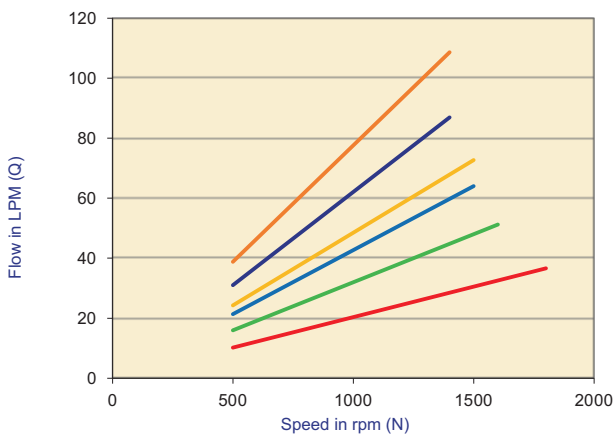
- Simple modular construction with minimum number of parts for ease of assembly and service
- Precision manufactured components ensures required form, finish and working clearance, resulting in volumetric efficiency as high as 95%
- Spheroidal graphite pump casing with fatigue resistance shaft material, kidney plate for wear resistance, ensures high degree of reliability and life
- Pumps are compact and rugged to withstand spike pressures
- Heavy duty needle and taper roller bearings withstand side load
- Positive displacement pumps, designed for intermittent duty application

Axial Piston Pump - Fixed Delivery

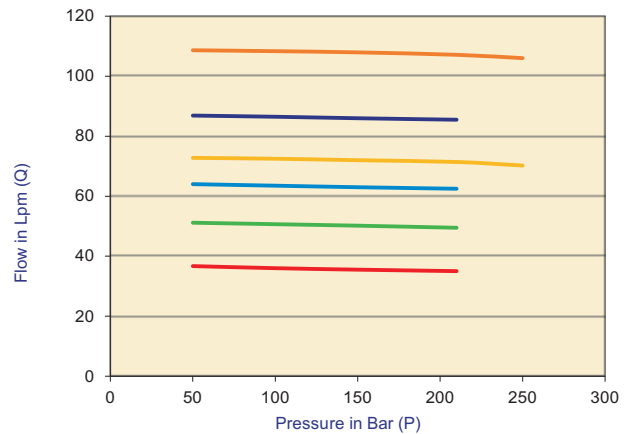
Model	WAP330*11	WAP330*17	WAP430*17	WAP625*17	WAP431*17	WAP531*17
A (mm)	305	305	305	320	344	312
Suction Port Size	M33x2	M33x2	M33x2	M33x2	M39x2	M48x2
Delivery Post Size	M22x1.5	M22x1.5	M22x1.5	M22x1.5	M26x1.5	M27x2
Displacement (cc/rev)	21	33	44	50	64	80
Minimum Speed (rpm)	500	500	500	500	500	500
Rated Speed (rpm)	1800	1600	1500	1500	1400	1400
Intermittent Speed (rpm)	2000	1900	1800	2000	1700	1700
Flow at Rated Speed (lpm)	36.6	51	54	73	87	109
Working Pressure (bar)	210	210	210	250	210	210
Peak Pressure (bar)	250	250	250	300	250	250
Temp Range of Oil (°C)	-30 to +80	-30 to +80	-30 to +80	-30 to +80	-30 to +80	-30 to +80
Weight (kg)	12	12	13	14	19	22
Suction	Gravity	Gravity	Gravity	Gravity	Gravity	Gravity



NQ Characteristics



PQ Characteristics



— WAP330*11 — WAP330*17 — WAP430*17 — WAP625*17 — WAP431*17 — WAP531*17

- Pumps are available for clockwise and anticlockwise direction of rotation
- Subject to change without notice

● Wipro Infrastructure Engineering

(T) +91 (80) 3929 2111
 (F) +91 (80) 3929 4080
 (E) winsales.india@wipro.com
 (W) wiproinfra.com